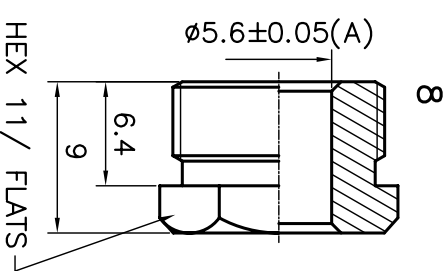
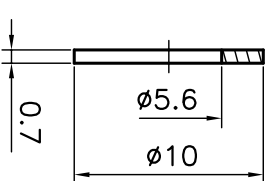
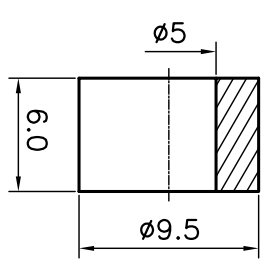
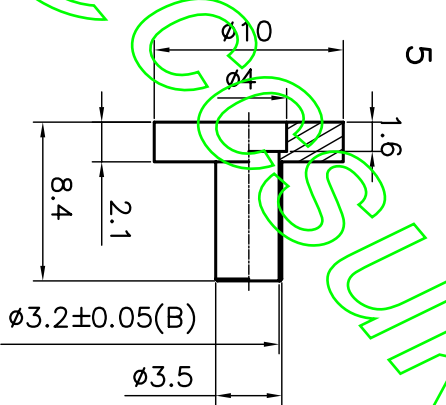
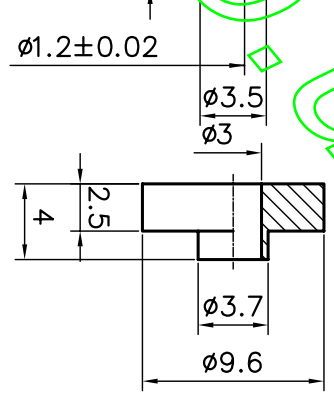
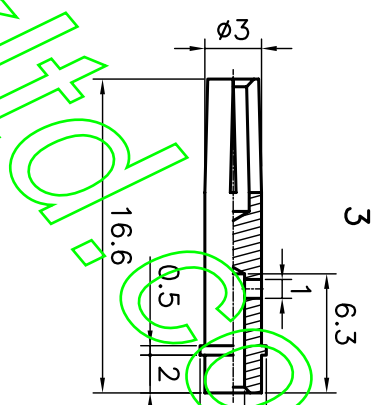
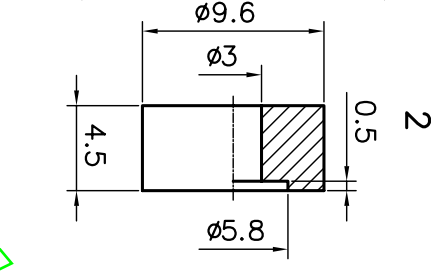
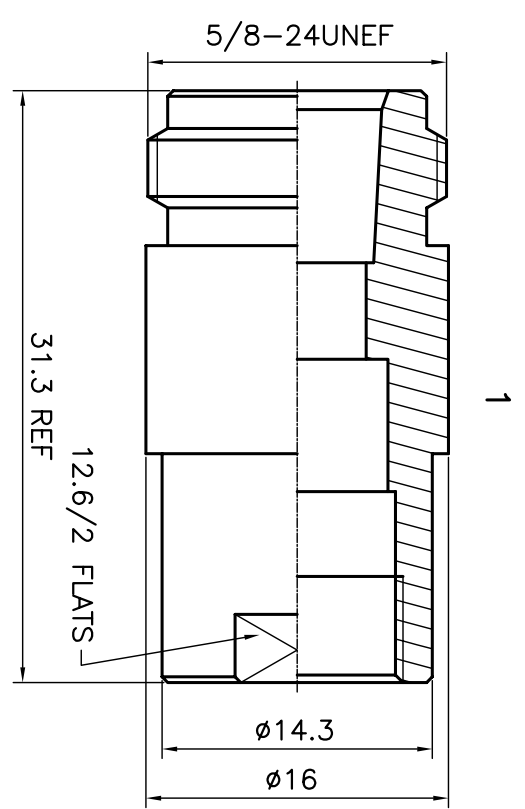


| ISS | DESCRIPTION \ DATE |
|-----|--------------------|
| | |

ROHS COMPLIANT



CONNECTORS CABLES
FCS
SPECIALISTS LTD

TITLE: N FEMALE CLAMP
(FOR RG58, RG223, RG400, RG142)

PART NO.: . NSC223
DR. NO.: . 030

| | |
|-------|---------------------------------------|
| APRD: | UNLESS OTHERWISE SPECIFIED TOLERANCES |
| CHKD: | 0.5-6 = ±0.2 |
| DR: | >6-30 = ±0.4 |
| | >30-120 = ±0.6 |
| | >120-315 = ±1.1 |
| | >315-1000 = ±1.6 |
| | ANGLES = ±1.5° |

DATE: 05/09/11"
SHEET: .
UNIT: mm
SCALE: 2.5/1

| NO | DESCRIPTION | MATERIAL |
|----|-------------------|----------------------------|
| 1 | INSULATOR BODY | BRASS/NICKEL PLATE |
| 2 | INSULATOR CONTACT | PHOSPHOR BRONZE/GOLD PLATE |
| 3 | INSULATOR CONTACT | TEFLON |
| 4 | INSULATOR CONTACT | TEFLON |
| 5 | TOP HAT | BRASS/NICKEL PLATE |
| 6 | GASKET | SILICONE RUBBER/WHITE |
| 7 | WASHER | BRASS/NICKEL PLATE |
| 8 | NUT | BRASS/NICKEL PLATE |